

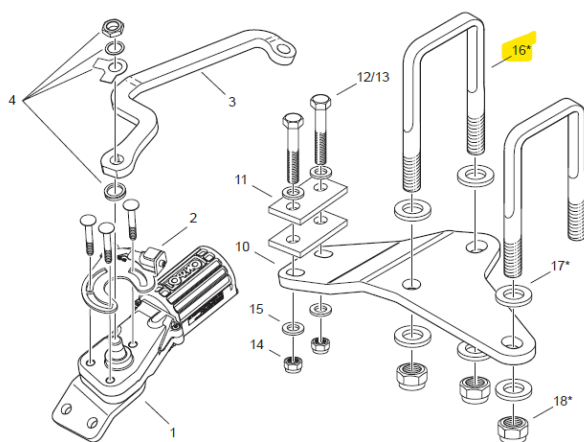
## Scania mounting instructions.

In our mounting instruction to kit 56-719200, 56-719300, 56-719400 and 56-751500 we don't show the part number to the U-camp.

We are only referring to Scania original part. When the customer is calling Scania, they don't know which U-clamp is the right one and that leads to a lot of calls to Onspot.

To prevent this time-consuming work, we are adding the original part number that Scania is using in the mounting instruction.

The original part from Scania has number 2824169 and will be stated under the part description in the mounting instruction.



**GB 56-719200 56-719201 56-700500** \* Applies to 56-719200

Pos	Part no.	Description	Qty	Pos	Part no.	Description	Qty
Onspot and arm				Vehicle bracket			
1	56-700600	Onspot left (stamped no. 56-330100)	1	10	56-230203	Vehicle bracket left	1
	56-700601	Onspot right (stamped no. 56-330200)	1		56-230204	Vehicle bracket right	1
2	56-700700	Stop knob left, complete (stamped no. 56-331200)	1	11	56-193700	Spacing T=10	4
	56-700701	Stop knob right, complete (stamped no. 56-331300)	1	12	35-032700	Screw M16x60	4
3	56-360100	Arm left, incl. pos. 4 (stamped no. 56-350100)	1	13	35-032800	Screw M16x80	4
	56-360200	Arm right, incl. pos. 4 (stamped no. 56-350200)	1	14	36-013100	Nut M16 Nylock	4
4	56-320701	Arm fasteners	1	15	37-000700	Washer BRB 17x30x3	8
				16*		Scania original part Part no. 2824169	4
				17*	37-029000	Washer 25x45x4	12
				18*	36-006300	Nut M24	6

VBG GROUP TRUCK EQUIPMENT AB reserve the right to amend or alter specifications at their discretion.

Website is updated with the new instructions.

Kind regards,  
**Lars-Ove Boström**  
 Product Marketing